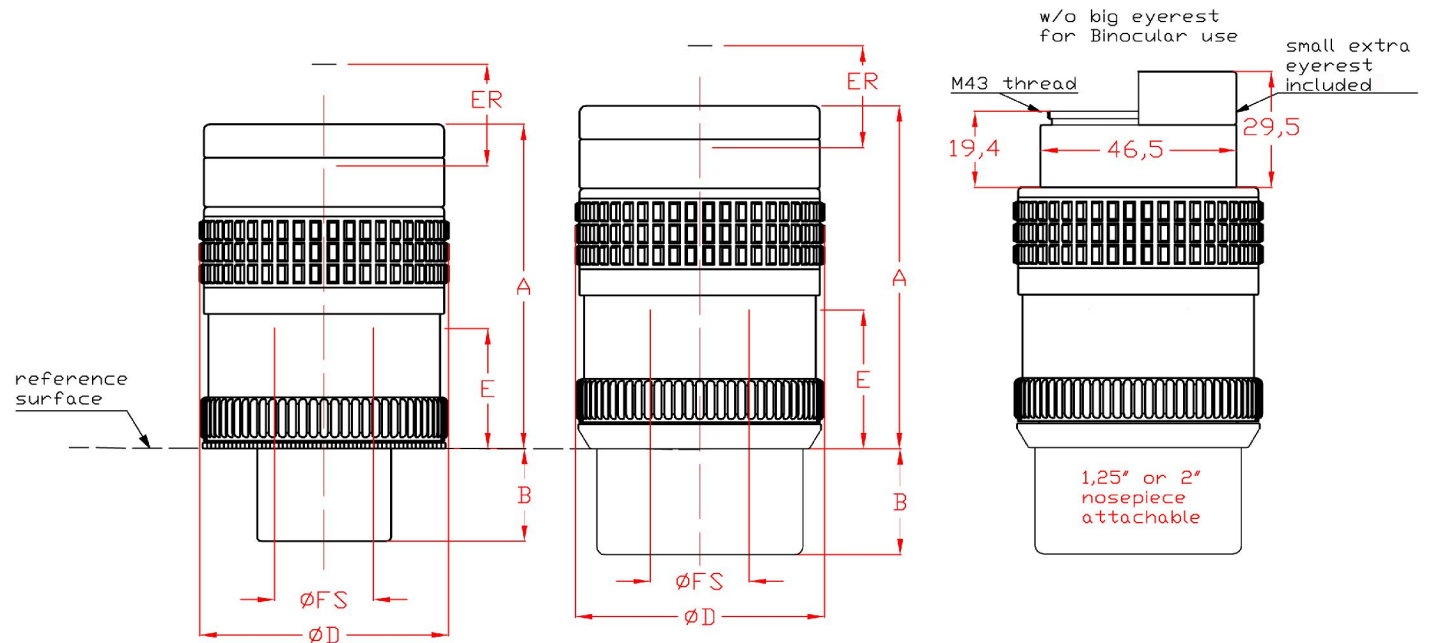


Click Stop Zoom 8-24

Baader-No.	FL with CsZ		Eyepiece Type	Barrel (in.)	² E / G	³ AF	⁴ G	⁵ ER (mm)	Field Stop (mm)	⁷ Eyepiece Dimensions (mm)							Weight (g/lb/oz)
	¹ FL (mm)	Barlow #2956180 2.25x								A	B	C	D	E	E*	F	
2454824	8	3,56	Clickstop Zoom	1¼"	7 / 4	48°	yes	19	27.4	82	23.5	-	58	30	35	-	353g
2454824	12	5.33	Clickstop Zoom	1¼"	7 / 4	53°	yes	18.2	27.4	82	23.5	-	58	30	35	-	353g
2454824	16	7.11	Clickstop Zoom	1¼"	7 / 4	58°	yes	17.4	27.4	82	23.5	-	58	30	35	-	353g
2454824	20	8.89	Clickstop Zoom	1¼"	7 / 4	63°	yes	16.7	27.4	82	23.5	-	58	30	35	-	353g
2454825	24	10.67	Clickstop Zoom	1¼"	7 / 4	68°	yes	16	27.4	82	23.5	-	58	30	35	-	353g
2454824	8	3,56	Clickstop Zoom	2"	7 / 4	48°	yes	19	27.4	87	27	-	58	35	40	-	371g
2454824	12	5.33	Clickstop Zoom	2"	7 / 4	53°	yes	18.2	27.4	87	27	-	58	35	40	-	371g
2454824	16	7.11	Clickstop Zoom	2"	7 / 4	58°	yes	17.4	27.4	87	27	-	58	35	40	-	371g
2454824	20	8.89	Clickstop Zoom	2"	7 / 4	63°	yes	16.7	27.4	87	27	-	58	35	40	-	371g
2454825	24	10.67	Clickstop Zoom	2"	7 / 4	68°	yes	16	27.4	87	27	-	58	35	40	-	371g

Table Notes

- ¹FL: Focal Length
 - ²E / G: # Lens Elements / # Groups
 - ³AF: Apparent Field of View
 - ⁴G: Parfocal
 - ⁵ER: Eye Relief
 - ⁷Eyepiece Dimensions: see diagram
 - A: Height of barrel above reference surface
 - B: Height of 1¼" barrel
 - C: Height of 2" barrel
 - D: Outer Diameter
 - E/F: Approx. location of field stop
- Attached CsZ Barlow #2956180



Scope of supply: 1pc Hyperion ClickStop-Zoom Mark III, including all adapters and rubber eye-shields to create three eyepiece variants as per these three drawings