

HYPERION® ZOOM Mark III (8-24mm)

Baader SKU	¹ FL (mm)	Eyepiece Series	FL with Hyp Barlow* 2.25x	Barrel (in.)	² E/G	³ AF	⁴ G	⁵ ER (mm)	⁶ FS (mm)	⁷ FSD	⁸ BFG (mm)	⁹ SPS (1¼"/2")	¹⁰ PVA	Eyepiece Dimensions (mm)				Weight (g) (1¼" / 2")
														A	B	C	D	
2454824	8	Hyperion	3,6	1¼" / 2"	7 / 4	68°	yes	19	6,7	0	- 6	RA	M43	82	24,5	27	58	353 / 371
2454824	12	Hyperion	5,3	1¼" / 2"	7 / 4	63°	yes	18,2	11	0	- 6	RA	M43	82	24,5	27	58	353 / 371
2454824	16	Hyperion	7,1	1¼" / 2"	7 / 4	58°	yes	17,4	16	0	- 6	RA	M43	82	24,5	27	58	353 / 371
2454824	20	Hyperion	8,9	1¼" / 2"	7 / 4	53°	yes	16,7	21	0	- 6	RA	M43	82	24,5	27	58	353 / 371
2454824	24	Hyperion	10,7	1¼" / 2"	7 / 4	48°	yes	16	27,4	0	- 6	RA	M43	82	24,5	27	58	353 / 371

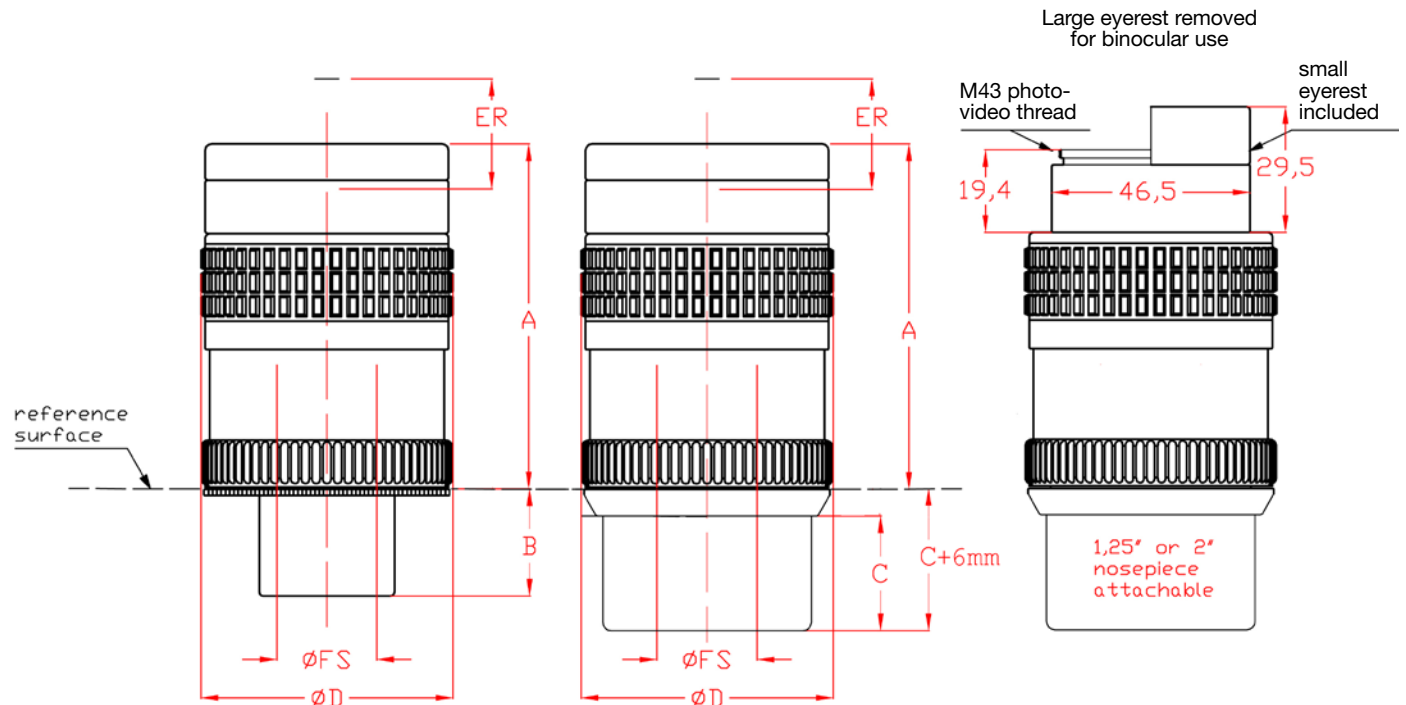
* #2956180

Spreadsheet notes

- ¹FL: Focal Length
- ²E/G: # Lens Elements / # Groups
- ³AF: Apparent Field of View
- ⁴G: Parfocal
- ⁵ER: Eye Relief
- ⁶FS: Field Stop Ø
- ⁷FSD: field stop displacement (+/-) (compared to reference plane)
- ⁸BFG: Back Focus Gain when using 2" barrel (compared to 1¼" barrel)
- ⁹SPS: Slip-Protect Safety (SK = Safety Kerfs | RA = Recessed Area)
- ¹⁰PVA: Photo-Video Adapter Thread, 43mm Standard (accessible by removing eyecup)

Eyepiece Dimensions

- A: Height of eyepiece-body above reference plane
- B: Length of 1¼" barrel
- C: Length of 2" barrel
- D: Outer Diameter



Scope of supply

Hyperion ClickStop Zoom Mark III, 1¼" and 2" nosepieces, Zeiss thread M45 and Celestron thread M36,4, large adjustable eyerest and two alternative rubber eyecups (winged and foldable), three dustcaps, soft leatherette bag

All technical data provided are based on unaltered mechanical and optical design data. Values measured in the field depend on users telescopes or evaluation techniques and may vary greatly - especially when obtained with catadioptrics of variable focal length